



HDR100 Series - Navtech Radar

MODELS	Indicative Range	Update Rate
HDR132	300 metres	2 Hz
HDR124	200 metres	4 Hz
HDR114	100 metres	4 Hz

SPECIFICATIONS	HDR100 Series
Operating Frequency	76 - 77 GHz
Operating Range	5-300m Person 5-300m Vehicle
Range Resolution	0.175m
Azimuth Beamwidth	1.8°
Elevation Beamwidth	1.8°
Infill Elevation Beam	Standard
Measurement Rate	400 per rotation
Field of View	360°
Update Rate (Rotation Speed)	0.5s (2Hz) 0.25s (4Hz)
Data Connection	1 Gbps Ethernet
Power Consumption	24 Watts
Power Supply	24 Volts DC or POE+*
Weight	6 Kg

Specifications	HDR100 Series
Mounting Height	2-4 metres
Safe Working Distance (from radome)	0m
Operating Temperature	-20°C to + 60°C
Environmental	UL50/50E IP 67 BS EN 60068-2-52:1996 Test Kb Severity 3
Compliance	CE, UKCA, ACMA, FCC, ISED Marked
EMC Directive	2014/30/EU
Low Voltage Directive	2014/35/EU
Radio Equipment Directive	2014/53/EU
Specifications	HDR100 Series

Additional Notes

*PoE Power Supply Considerations

Recommended Operating Conditions

DC Supply Voltage: 36 to 57V

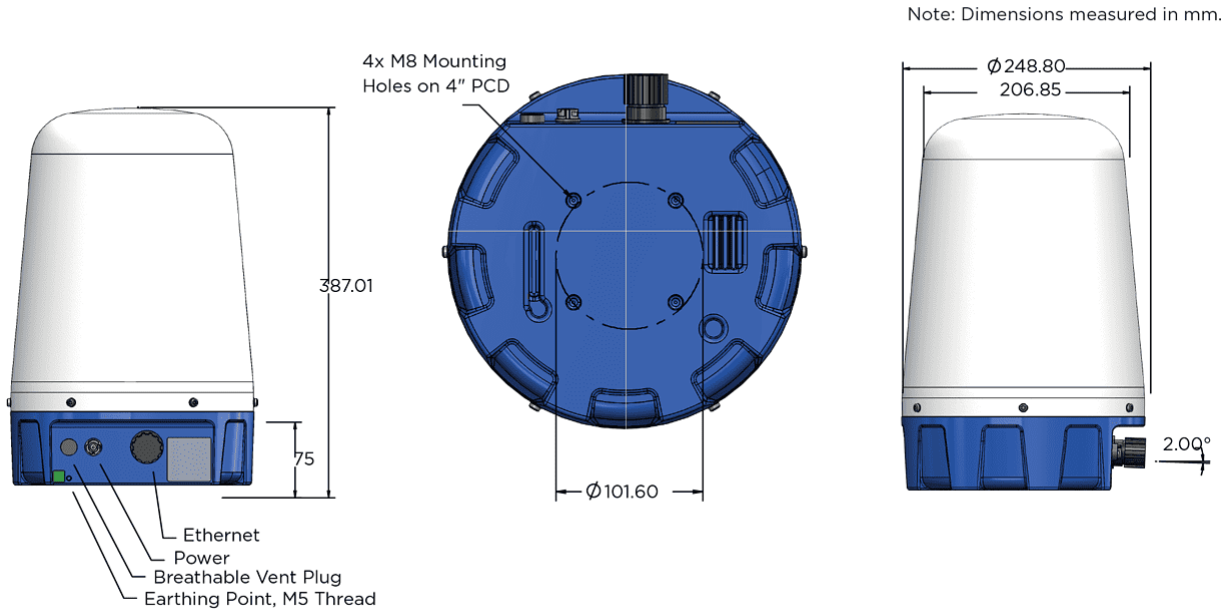
Absolute Maximum Ratings

DC Supply Voltage: -0.3 to 60V

DC Supply Voltage Surge for 1ms: -0.6 to 80V

Exceeding these ratings may cause permanent damage to the product

DIMENSIONS



Navtech Radar

Home Farm, Ardington, Wantage, Oxfordshire, OX12 8PD, UK.

hello@navtechradar.com

+44 (0)1235 832 419

