



Technical Specification – FOD150

SPECIFICATIONS

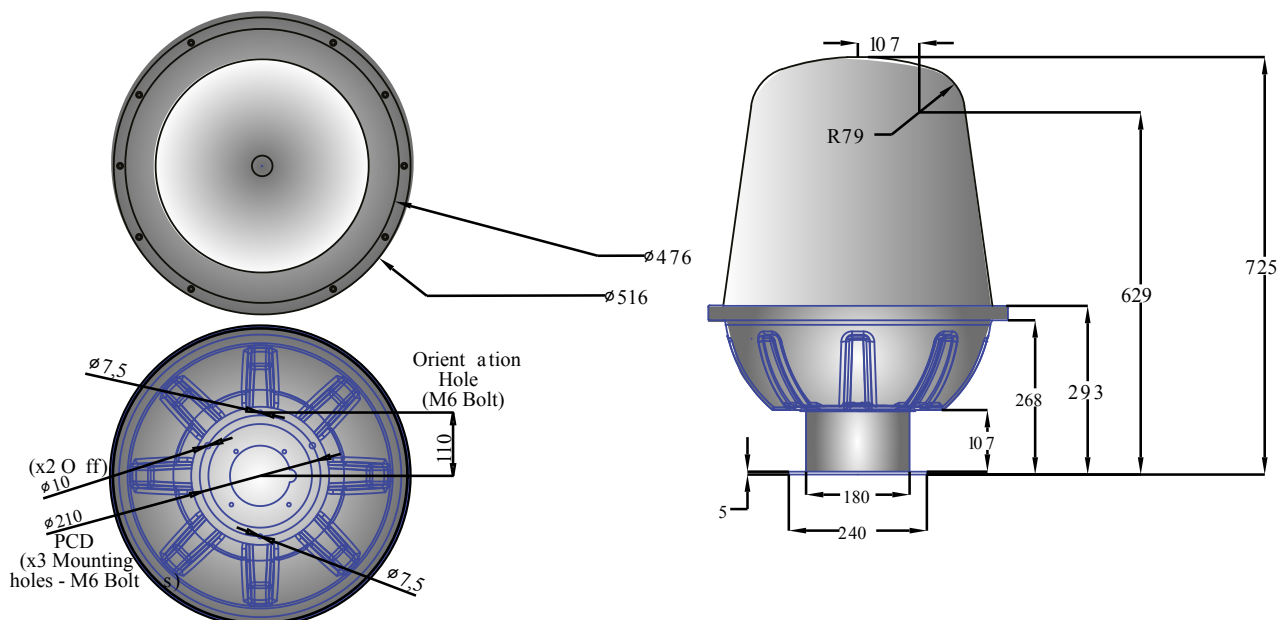
FOD150

Operating Frequency	76-77GHz
Operating Range	150m for detection of 3cm x 3cm x 3cm debris
Range Resolution	0.155m
Azimuth Beamwidth	1.8°
Elevation Beamwidth	3°
Infill Elevation Beam	Optional
Measurement Rate	5600 per rotation
Field of View	360°
Update Rate (Rotation Speed)	7s (0.14Hz)
Data Connection	Gigabit Ethernet
Power Consumption	36 Watts
Power Supply	24 Volts DC
Weight	22 Kg
Mounting Height	1m - 2m
Safe Working Distance (from radome)	0.1m
Operating Temperature	-20°C to + 60°C
Environmental	IP 67 BS EN 60068-2-52:1996 Test Kb Severity 3

FOD150

Compliance	CE Marked
EMC Directive	2014/30/EU
Low Voltage Directive	2014/35/EU
Radio Equipment Directive	2014/53/EU

DIMENSIONS



Navtech Radar

Home Farm, Ardington, Wantage, Oxfordshire, OX12 8PD, UK.

hello@navtechradar.com

+44 (0)1235 832 419

