

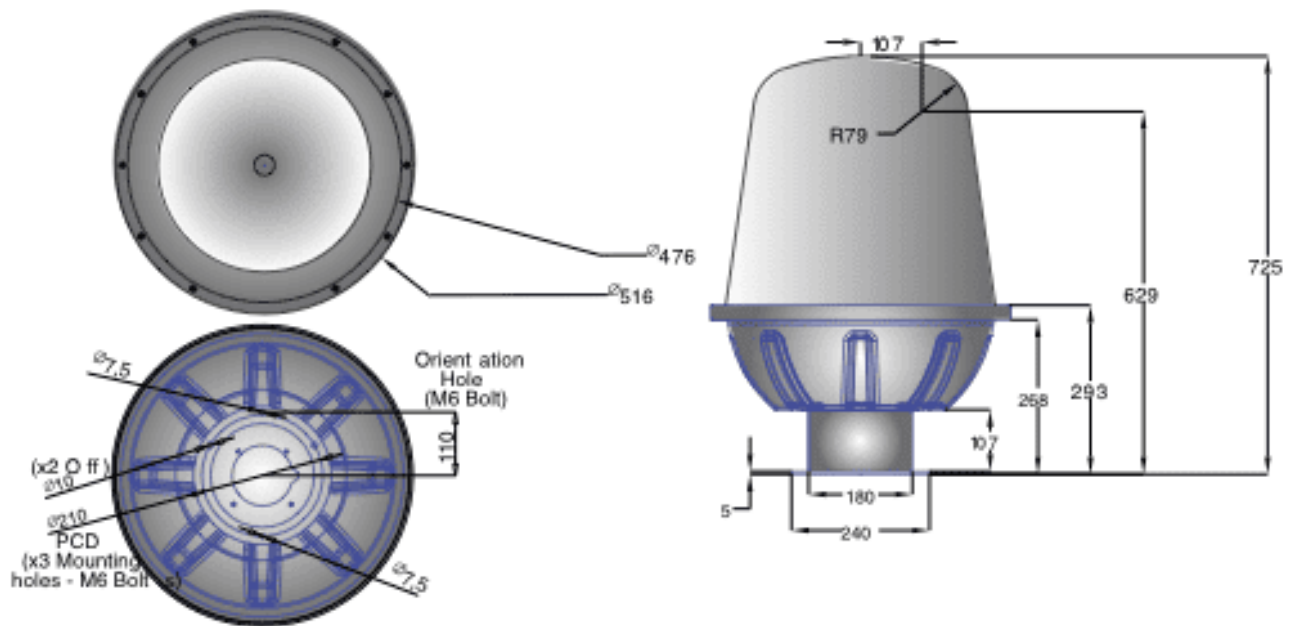


HDR351 Radar - Navtech Radar

SPECIFICATIONS	HDR300 Series
Operating Frequency	76 - 77 GHz
Operating Range	3,000m Person 5,000m Vehicle
Range Resolution	0.39m
Azimuth Beamwidth	0.9°
Elevation Beamwidth	3°
Measurement Rate	800 per rotation
Field of View	360°
Update Rate (Rotation Speed)	1s (1Hz)
Data Connection	1 Gbps Ethernet
Power Consumption	36 Watts
Power Supply	24 Volts DC
Weight	22 Kg
Mounting Height	6-10m
Safe Working Distance (from radome)	0.1m
Operating Temperature	-20°C to + 60°C
Environmental	UL50/50E IP 67 BS EN 60068-2-52:1996 Test Kb Severity 3
Compliance	CE, UKCA, ACMA, FCC Marked
EMC Directive	2014/30/EU

Specifications	HDR300 Series
EMC Directive	2014/30/EU
Low Voltage Directive	2014/35/EU
Radio Equipment Directive	2014/53/EU

DIMENSIONS



Note: Dimensions measured in mm.

Navtech Radar

Home Farm, Ardington, Wantage, Oxfordshire, OX12 8PD, UK.

hello@navtechradar.com

+44 (0)1235 832 419

