



## CTS Series - Navtech Radar

SPECIFICATIONS		CTS350-X / CTS350-X-P
<b>Dimensions</b>		
Measurements	H387mm x D249mm	
Weight	6kg	
<b>Radar characteristics</b>		
<b>Max range</b>		
Radius	500m	
Full range (diameter)	1000m	
Range resolution	0.175m	
Measurement rate	400 per rotation	
Field of view	360°	
<b>Beam shape</b>		
Horizontal	1.8°	
Vertical	1.8°	
Azimuth sampling	0.9°	
<b>Connection</b>		<b>Connectors</b>
Power	Binder IP67 connector	
Ethernet	CONEC IP67 connector - RJ45 CAT5e - 1 Gbps ethernet	
Earth	M5 thread	
Pressurisation valve	Yes	

Network	
<b>Speed</b>	100/1000Mbps (configurable)
<b>Bandwidth</b>	<0.5Mbps per radar in normal operation ~38Mbps viewing full disc raw data (for commissioning only)
Direct power variant	
<b>Voltage input</b>	24V DC
<b>Tolerance</b>	21.6V to 26.4V
<b>Consumption</b>	24W
PoE+ variant	
<b>Voltage input</b>	36V to 57V
<b>Tolerance</b>	-0.3 to 60V
<b>1ms surge</b>	-0.6 to 80V (surge protection on the PoE line is recommended)
<b>Consumption</b>	24W
Environment	
<b>Operating Temperature</b>	-20°C to +60°C / -4°F to +140°F
<b>Enclosure</b>	UL50/50E
<b>Weather</b>	Fully functional in wind, rain, snow, fog, ice, humidity 0-100% condensing
<b>Visibility</b>	Full performance through fog and smoke
<b>IP rating</b>	IP67
<b>Saline</b>	BS EN 60068-2-52:1996 Test Kb Severity 3
<b>Shock and vibration</b>	BS 7987 Clause 11, Class AJ2 BS EN 60068-2-64 Test Fh, Class AL2 BS EN 60068-2-27 2009, Test Ea BS EN 60068-2-31, Procedure 1

## Electrical and radio

<b>Radar frequency</b>	76-77 GHz
<b>EMC Directive</b>	2014/30/EU
<b>Radio Equipment Directive</b>	2014/53/EU
<b>Low Voltage Directive</b>	2014/35/EU
<b>Compliance</b>	CE, UKCA, ACMA Marked

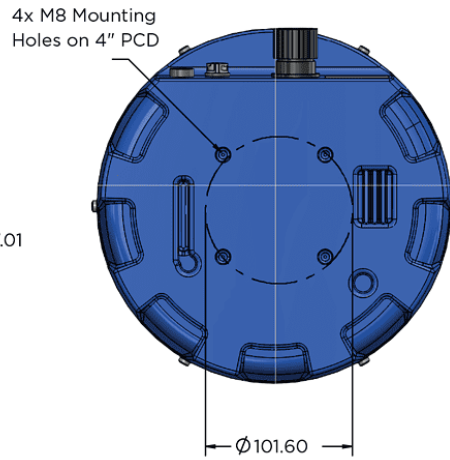
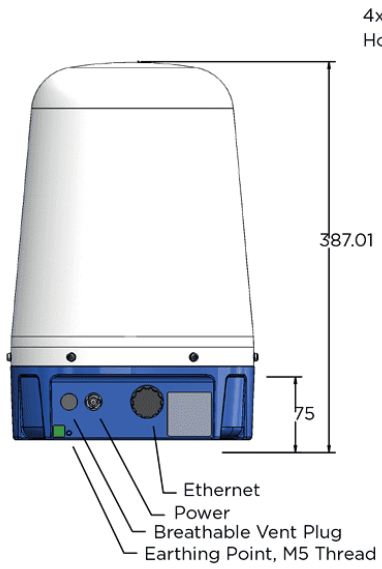
## Software

<b>Protocols</b>	TCP/IP, UDP, IPv4, HTTP, HTTPS, TLS1.2, SSH
<b>Interface</b>	Vertex via web browser
<b>Authenticated access</b>	Yes
<b>Signed software</b>	Yes - SHA512

## Security

<b>Encryption library</b>	Botan
<b>Authentication</b>	Yes (password change or reset through admin account)
<b>Account management</b>	Password update only (3 inbuilt accounts)
<b>Firewall / Access Control</b>	Yes
<b>SSH</b>	Yes
<b>Secure mode</b>	Yes (closes port 80, only allows SSH with secure key, no UDP multicast)

## DIMENSIONS



Note: Dimensions measured in mm.

